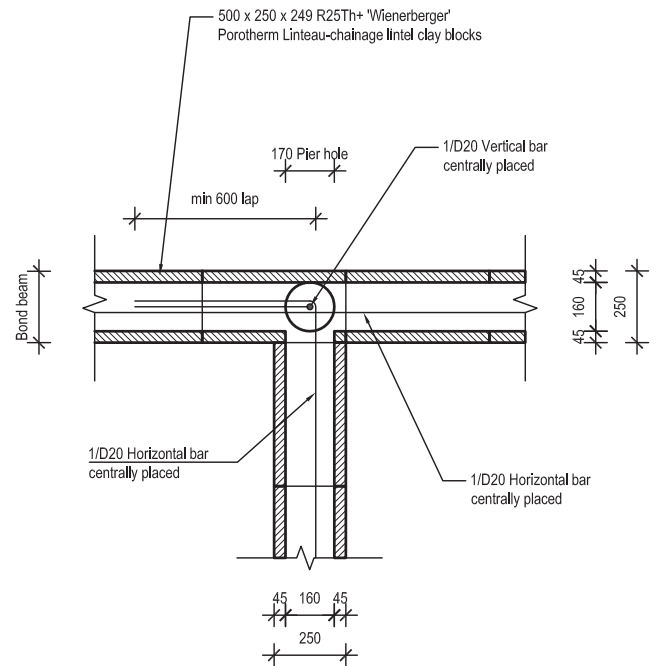
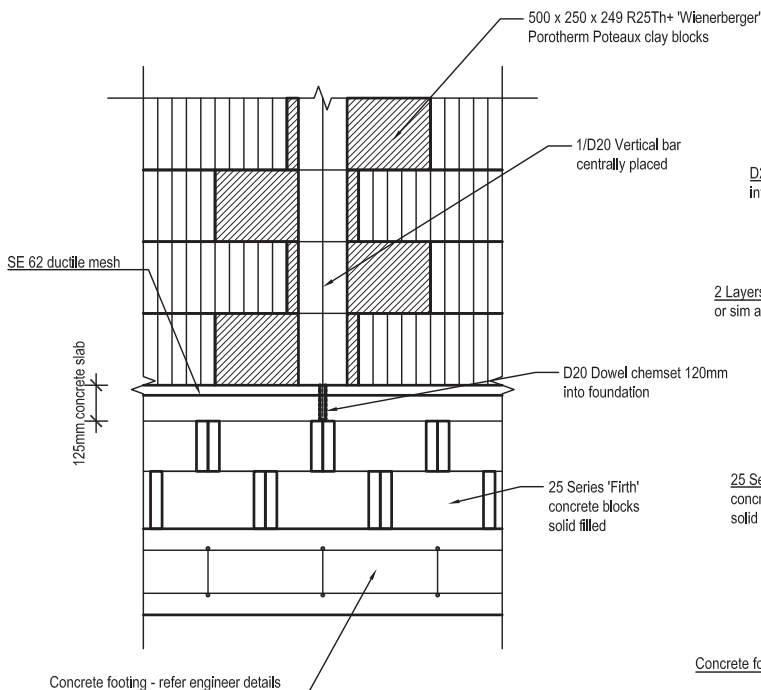


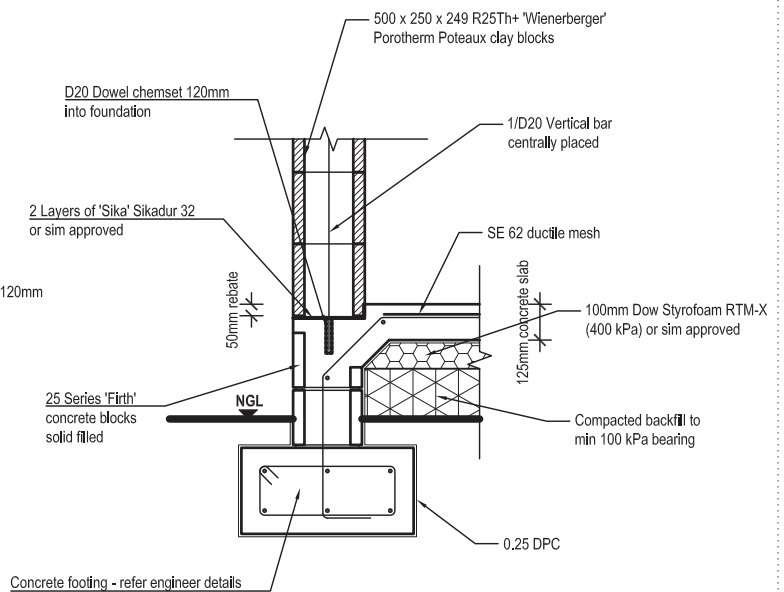
PIER - BOND BEAM CONNECTION  
DETAIL (ELEVATION)



PIER - BOND BEAM CONNECTION  
DETAIL (PLAN)



PIER - FOUNDATION CONNECTION  
DETAIL (LONGITUDINAL SECTION)



PIER - FOUNDATION CONNECTION  
DETAIL (TRANSVERSE SECTION)